



## NX E/Pak

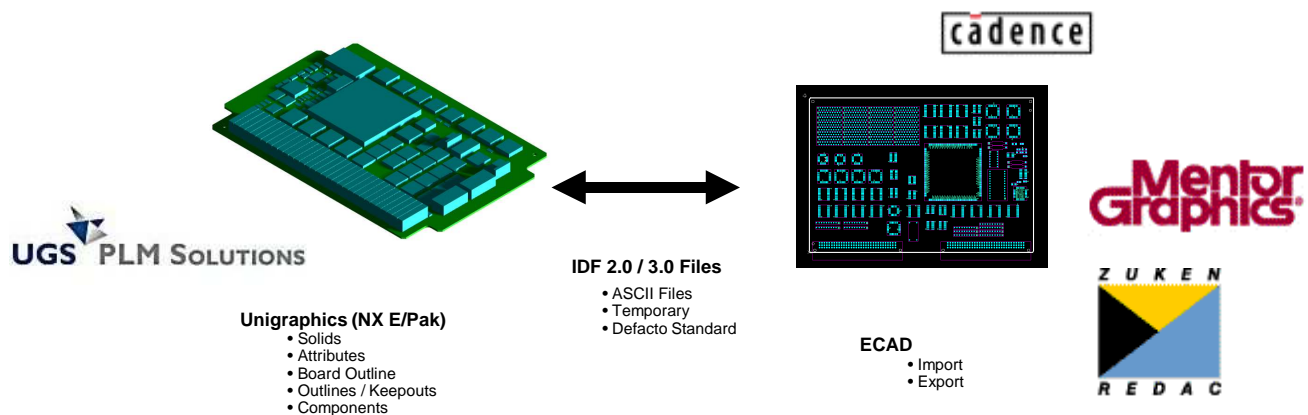
*Making MCAD to ECAD and ECAD to MCAD Easy*

LTX Software Inc.  
Suite A- 1700 Varsity  
Estates Drive. N.W  
Calgary, AB, Canada  
T3B 2W9  
Tel (403) 247-8994  
Fax (403) 247 9451  
www.ltxsi.com

### NX E/Pak

NX E/Pak is a two way ECAD interface that connects most ECAD printed circuit board systems to Unigraphics. It provides the mechanical designer with a physical representation of the printed circuit board and the associated electrical components, including constraint information through keepouts and outlines. The end goal is – save \$\$\$, by enabling concurrent design, catching errors early in the design process and decreasing the time to market significantly.

As a “two-way interface”, NX E/PAK assists in the design of both electronic board / component assemblies and mechanical packaging. Whether accepting new designs from or formatting designs for use within an ECAD system, NX E/PAK assures continuity between the ECAD layout package and UG assemblies.



### Benefits

- Saves time and increases design productivity by enabling concurrent design of electro-mechanical assemblies
- Flexible to match your unique design process without the cost of customization for your process, allowing packaging design to begin in Unigraphics, moving the outline and restrictions to the ECAD system for initial parameters, or visa versa.
- Increases design productivity by minimizing design interpretation errors through concurrent engineering.
- Reduces the time and cost to achieve a workable design by alerting the design team to mechanical and electrical inconsistencies and limitations
- Eliminates costly redesign by catching errors early in the design process
- Provides, through a single license, the ability to link Unigraphics with several ECAD systems.

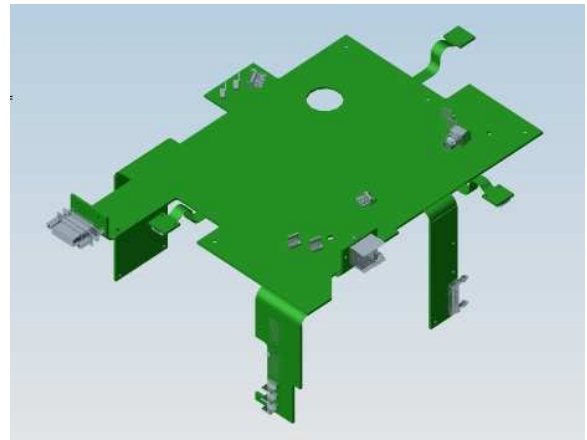
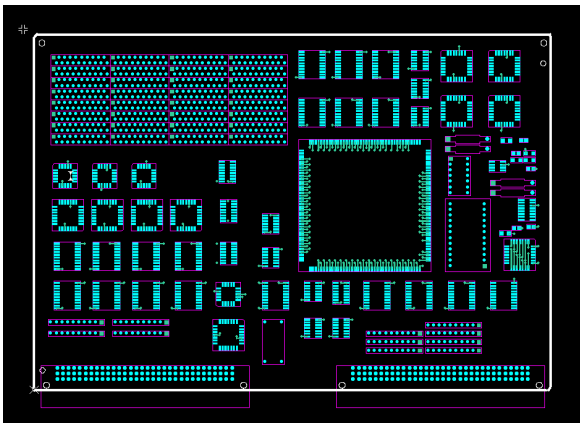
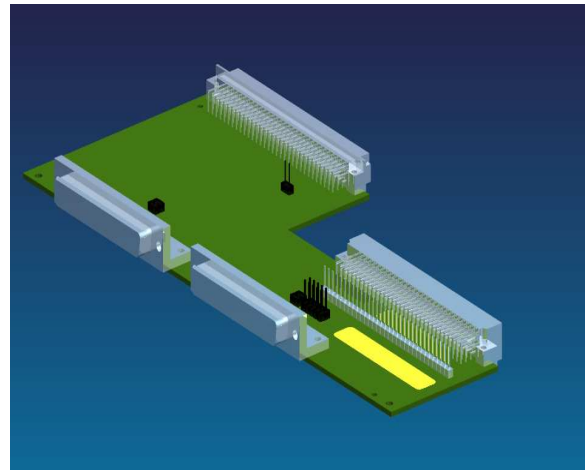
## Customers and Applications

Applications include electronic packaging, component assemblies and mechanical interfaces in:

- Automotive electronics
- Telecommunications
- Computer manufacturing
- Industrial instrumentation
- Chip/Board level fabrication
- Consumer appliances

## Features and Functions

- Integrated with Unigraphics
- Interchanges data and assigns attributes that create a physical model of the printed circuit assembly utilizing standard Unigraphics entities
- Support of Flex Circuits.
- Supports a local Unigraphics electrical component library, allowing a more detailed representation of key electrical components.
- Utilizes UG Solid Objects, Assemblies and Attributes
- Compatible with Team Center
- Two-way interface (ECAD to MCAD, and MCAD to ECAD)



- Constraint information through keepouts and outlines
- Coordinates ECAD and Unigraphics BOM data
- Intermediate Data Format 2.0 / 3.0
- Connects to multiple ECAD systems, including: Mentor Graphics, Cadence Allegro, Intergraph ECAD packages, Harris EDA, Zuken Redac
- Persistent Data remains with the part file

<b>ECAD Compatibility (IDF 2.0 / 3.0)</b>	Mentor: PCB to Mechanical, CADENCE Allegro: IDFIn/IDFOut, Intergraph, ECAD Harris EDA, Zuken Redac, Plus many others
<b>Software</b>	Gateway, Assemblies, Solids Modeling (Ufunc execute not required)
<b>Hardware</b>	HPUX, Sun Solaris, Windows, SGI <i>Note: An intermediate file-formatting module is required to interface with each ECAD module. An example is "PCB to Mechanical" from Mentor.</i>
<b>Price</b>	Contact your UG Sales Representative